

HORIZONTAL MOULDER

ARMOR ABS HV model

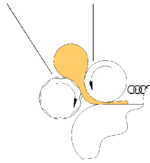
USE

- Machine used to laminate and mould dough balls
- Weight from 50 to 2000 grs. (*)
- Production rate (*) : up to 1 800 pieces hourly depending on the weight of the dough balls. (for breads of 350 grs).

(*) : Information is given as an indication and can vary depending on the type of dough.

FEATURES

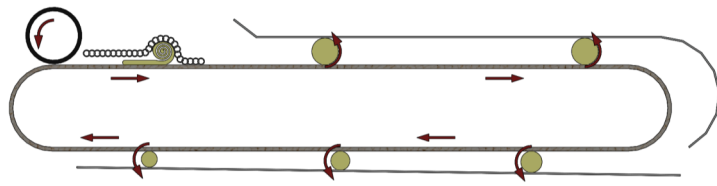
Two rollers for better result. A roller *Alvéo+*[®] for pre lamination + another roller for lamination.



An articulated tray that allows a first stretching of the dough balls with NO stress.

Stretching system between belt & fixed table

Good stretching with heating the dough (fragile dough, very hydrated dough, with yeast...)



Hinged safety hopper and easy dismantle of the scrapers

- Easy access for cleaning
- Easy dismantle of the scrapers for cleaning

Stainless steel side casing, 8mm thick, which enables the factory settings to be kept such as :

- Alignment of the laminating roll with the belt.
- The belt is parallel to the fixed table



Pointop[®] system included

For pointy ended breads and baguettes by sliding this accessory in between the belts of the moulder.



Woven wool moulded belt on synthetic base, 5mm thick (width : 750mm)

- Better moulding & nicer look of the dough balls.
- Good support of the belts during moulding and therefore longer life of the belts.

2 point controls for setting of the lamination and stretching.

- High precision settings
- Reliability of the settings in time

Silent and high resistance transmission line system.

- Pignons renforcés ont été cimenté.
- Very low noise level
- **Reinforced carbon cemented pinions**

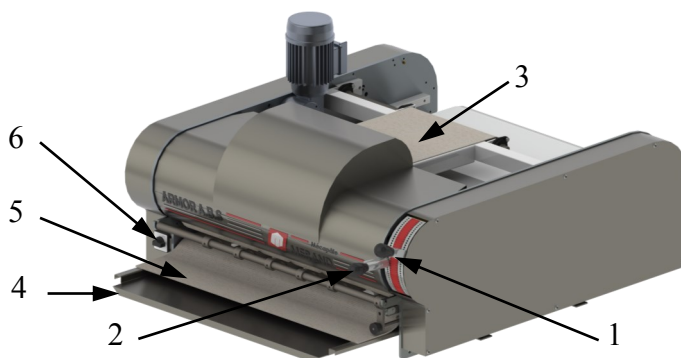
ACCESSORIES AND OPTIONS

- **Guide** for square breads, toast breads, shorts breads...
- **Rolls-coup[®]** system (to slice baguettes in 2/3/4 or 6).
- Infeed belt (recomended with proofer).
- Stainless steel carriage.
- Control on the left

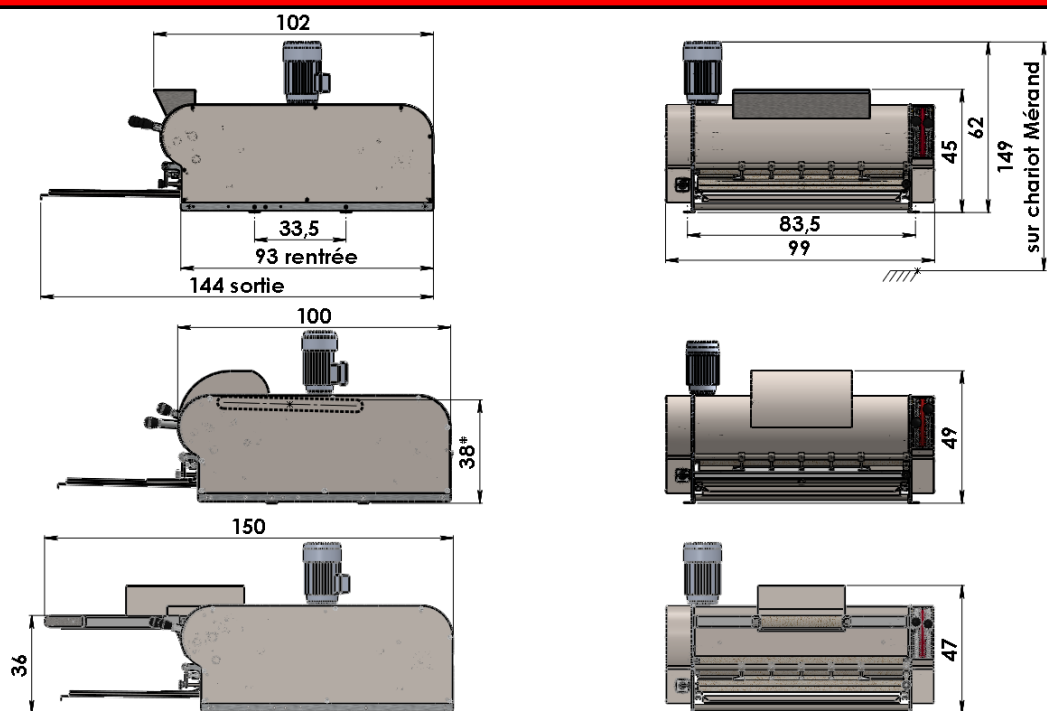
PRESENTATION

Shown model : ARMOR ABS HV with infeed belt

- 1—setting of the stretching
- 2—setting of the lamination
- 3—infeed belt (optional)
- 4—shelf for moulded dough balls, integrated and foldable.
- 5—belt
- 6—on/off button



DIMENSIONS



* Infeed belt height

WEIGHT

Net weight : 152Kgs

Packed on pallet with cardboard packaging

Gross weight : 172Kgs

Dimensions : 130 cm x 135 cm x 85 cm.

Packed on a pallet into a wooden crate () :*

Gross weight : 222 Kgs (262 Kgs**)

Dimensions : 130 cm x 135 cm (186 cm ***) x 84 cm.

(*) *Sea wooden crate, non treated wood*

(**) *Gross weight Armor ABS infeed belt in crate*

(***) *Armor ABS infeed belt wooden crate*

ELECTRICAL FEATURES

- 380 Volts / 50 Hz / 0,37 Kw / 1,40 A
- 380 Volts / 60 Hz / 0,37 Kw / 1,40 A
- 220 Volts / 50 Hz / 0,37 Kw / 2,17 A
- 220 Volts / 60 Hz / 0,37 Kw / 2,17 A

Electricity supply : 2.5m cable with male plug TRI + T + N

HYGIENE — SAFETY

The moulder Armor ABS HV conforms to the following :

- 2006/42/CE machine order
- Work standards

