



RotoAvant FB 80100

FEATURES

Spare keyboard

A reserve command keyboard ensures the working continuity in case main keyboard is damaged; it is equipped with all essential control functions of the oven.



Flex Energy



Hi Control

INDUSTRY PACK

CONTROL			
CONTROL TYPE	Multibake	Polin Touch	
SPARE DIGITAL KEYBOARD	✓	✓	
BAKING PROGRAMS	100	100	
PASSWORD-PROTECTED RECIPES	✓	✓	
PHASES FOR EACH BAKING CYCLE	10	10	
DISPLAY	LCD	Touch screen	
USB PORT SAVING PROGRAMS + PEN DRIVE	✓	✓	
ENERGY STAND-BY	✓	✓	
TIME/TEMPERATURE LIMITER	✓	✓	
AUTOMATIC START	✓	✓	
ALARMS TO DISPLAY MALFUNCTION	✓	✓	
PREDISPOSITION FOR REMOTE CONTROL THROUGH BAKE APP	✓	✓	●
LED HOOD INDICATORS	○	○	●
DIAGNOSTICS FUNCTIONS	✓	✓	
AUTOMATIC SWITCH-OFF	✓	✓	
CONSTRUCTION ELEMENTS			
STAINLESS STEEL COATING	✓	✓	
ISOLATION IN COMPRESSED WOOL 264 lb/pt (120 Kg/mq)	✓	✓	
BAKING CHAMBER IN STAINLESS STEEL	✓	✓	
FRONTAL CONTROL PANEL	✓	✓	
GLASS WITH HINGED OPENING	✓	✓	
FRONTALLY ACCESSIBLE ELECTRIC PANEL AND BURNER	✓	✓	
DOUBLE DOOR GLASS	✓	✓	
DOUBLE CLOSING DOOR	✓	✓	
CAST ROTATION GROUP	✓	✓	
INTERNAL AND EXTERNAL LOW EMISSION GLASS	✓	○	
AUTOMATIC LEVER LIFTING	○	○	
DOOR COOLING SYSTEM	✓	✓	
ENLARGED CAST HOOK	✓	✓	
SMOOTH FLOOR	✓	✓	
ISOLATION WITH PRECOMPRESSED PANELS	✓	✓	
ERGONOMIC CHROME HANDLE	✓	✓	
ROTATING PLATFORM	○	○	
GREAT DOOR THICKNESS	✓	✓	

✓ STANDARD ○ OPTIONAL

Flex Energy

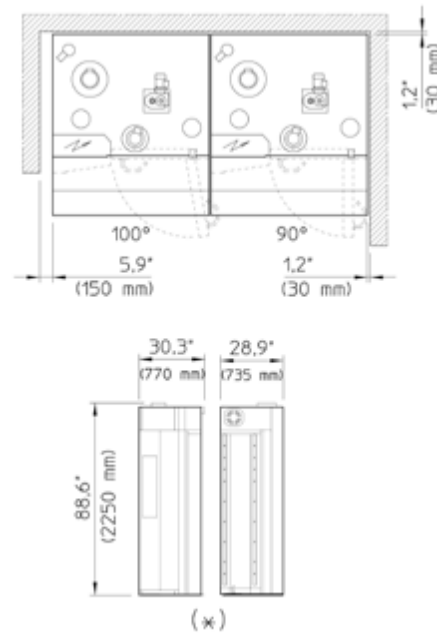
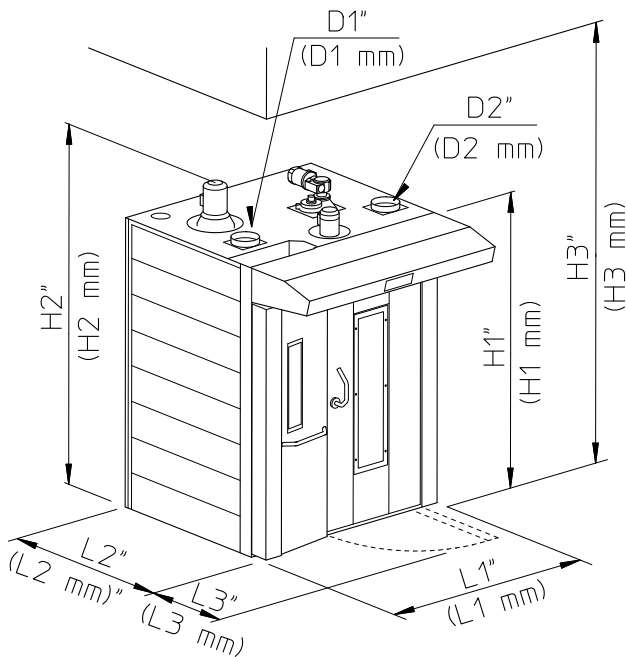
Hi Control

INDUSTRY PACK

ROTOAVANT FB

CONSTRUCTION ELEMENTS			
PRESSURE RELIEF VALVE	✓	✓	
SINGLE CAST SIPHON	✓	✓	
DOUBLE SILOCONE AND ST/ST SEAL	✓	✓	
ADJUSTABLE LOWER SEAL	✓	✓	
DOOR SAFETY SYSTEM	✓	✓	
HEAT SYSTEM			
AIRFLOW DIRECTION	✓	✓	
AIR SPEED THROUGH INVERTER (AIR FINE CONTROL)	✓	✓	
FRONTAL BURNER OR ARMORED RESISTANCES	✓	✓	
RAPID COOLING SYSTEM	✓	✓	
STEAM SYSTEM			
STEAM UNIT WITH SPHERES	✓	✓	
STEAM UNIT LITER COUNTER	○	○	●
SUCTION HOOD WITH GRID	✓	✓	
AUTOMATIC STEAM EXHAUST SYSTEM (FAST AIR)	✓	✓	
ENLARGED STEAM UNIT WITH DOUBLE ENTRANCE	○	○	●
CONSTANT PRESSURE INSIDE THE BAKING CHAMBER (WITH GRAVITY VALVE)	✓	✓	

✓ STANDARD ○ OPTIONAL ●



Oven type	L1 in (mm)	L2 in (mm)	L3 in (mm)	H1 in (mm)	H2 in (mm)	H3 in (mm)	Fume exhaust D1 Ø in (mm)	Steam exhaust D2 Ø in (mm)
4676	57,5 (1460)	54,7 (1390)	26,2 (665)	86,6 (2200)	99,4 (2525)	108,3 (2750)	5,9 (150) SC - SE	7,9 (200) SC/SE
80100	88,6 (2250)	68,3 (1735)	44,4 (1128)	94,5 (2400)	107,9 (2740)	117,3 (2980)	7,9 (200) SC - SE	7,9 (200) SC/SE

FEATURES

			4676 SC	4676 SE	80100 SC	80100 SE
Oven weight	lb (kg)		2.860,0 (1300)	2.750,0 (1250)	4.290,0 (1950)	4.180,0 (1900)
Trays capacity	n°		15/18	15/18	16/18	16/18
Trays pitch	in (mm)	0,6 (15)	4,1 (105)	4,1 (105)	4,1 (105)	4,1 (105)
		0,7 (18)	3,4 (87)	3,4 (87)	3,7 (93)	3,7 (93)
Trays dimensions	in (mm)		18,1x29,9 (460x760)	18,1x29,10 (460x760)	31,5x39,4 (800x1000)	31,5x39,5 (800x1000)
Minimum door width	in (mm)		30,789x88,9 (780x2260)	31,789x88,9 (780x2260)	22,8* (580*)	22,8* (580*)
Increased electrical power	kW		400/3N~/50	400/3N~/50	400/3N~/50	400/3N~/50
Thermal power	kW		2,1	-	3	65,8
	Btu/h (kcal/h)		177.542,7 (44.740)	0	317.465,7 (80.000)	-

SE electric **SC** combustion (feeding: GLP, natural gas, diesel)

(*) 40,2"x97,2" (1020x2470 mm) if shipped in blocks