

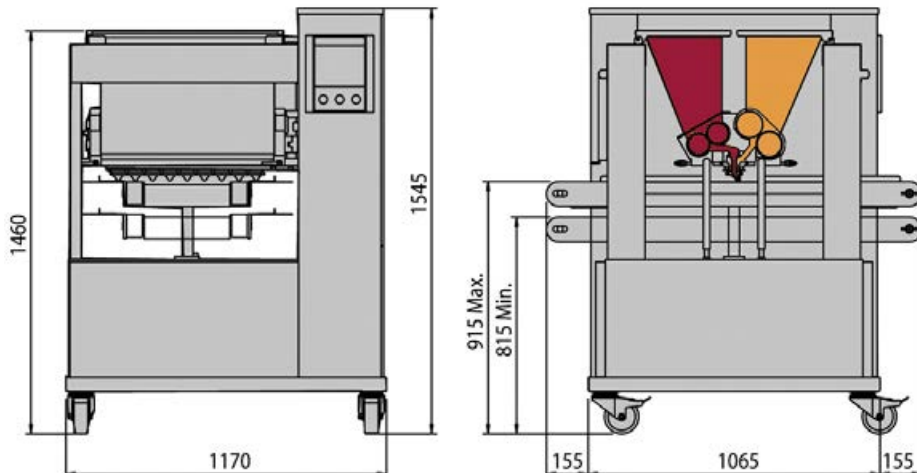
MULTIDROP TWINY



Multi-purpose depositor that can be used for either single or dual color dough processing. Four rollers built-in head, controlled by PLC allows for a large range of single or dual color cookies production. It is also possible to produce filled or topped products. Two doughs can be deposited at once, or filling can be done inside the encrusted cookies.

All machines are equipped with:

- Stainless steel frame and braking casters
- Easily detachable table
- HDD/SDD dough head with one side designed for hard dough and the other for soft
- Head easy to disassemble and wash
- Dough heads can be fitted interchangeably according to different types of dough/batter
- Touch-screen computer with color display (7")
- CE compliance certificate



	Tray size		Hopper capacity	Strokes		Tension	Power	Weight
	Width	Max. Length		Depositor	Wire cut			
	mm	mm	l	n°/min.	n°/min.	Volt	kW	Kg
TWINY 66	660	800	2x40	35	50	220/3~/60	3.3	710

**Max strokes/min. with average 1 sec. depositing time, can be faster or slower depending on product size