

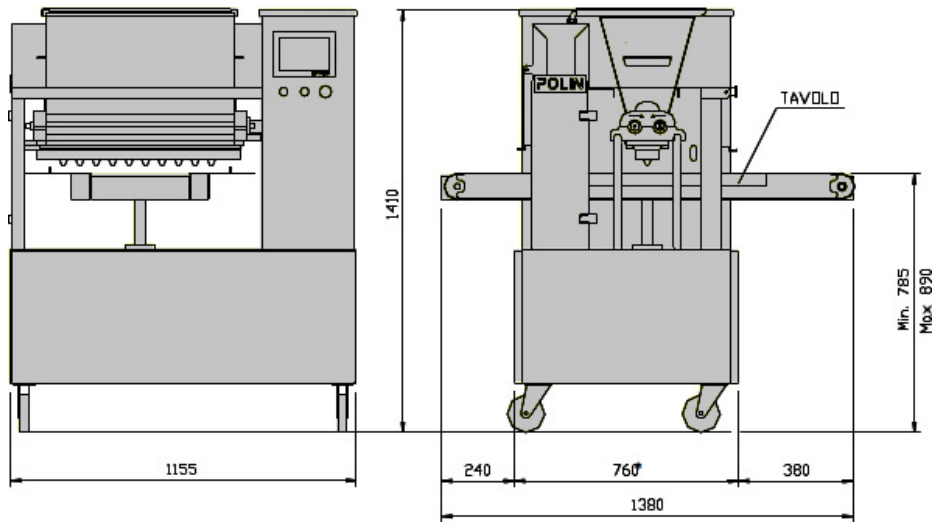
MULTIDROP CLASSIC



Multi-purpose depositor machine. The 100 program computer and design allows the operator to process a wide range of doughs and batters into many types of final products

All machines are equipped with:

- Stainless steel frame and braking casters
- Easily detachable table
- Hard dough head with stainless steel rollers, aluminum head shoulders, and plastic bushings
- Head easy to disassemble and wash
- Hard and soft dough heads can be fitted interchangeably according to different types of dough/batter
- Touch-screen computer with color display (7")
- CE compliance certificate



	Tray size		Hopper capacity	Speed			Tension	Power	Weight
	Width	Max. Length		Depositing	Wire-cut	Continuous			
	mm	mm	l	strokes/min.			Volt	kW	Kg
CLASSIC 46	460	800	35	26	35	45	220/3~/60	1.6	320
CLASSIC 66	660	800	50	26	35	45	220/3~/60	1.6	320

**Max strokes/min. with average 1 sec. depositing time, can be faster or slower depending on product size