

PRO.E

SINGLE SPIRAL MIXER WITH REMOVABLE BOWL

MIXER
ART OF MIXING

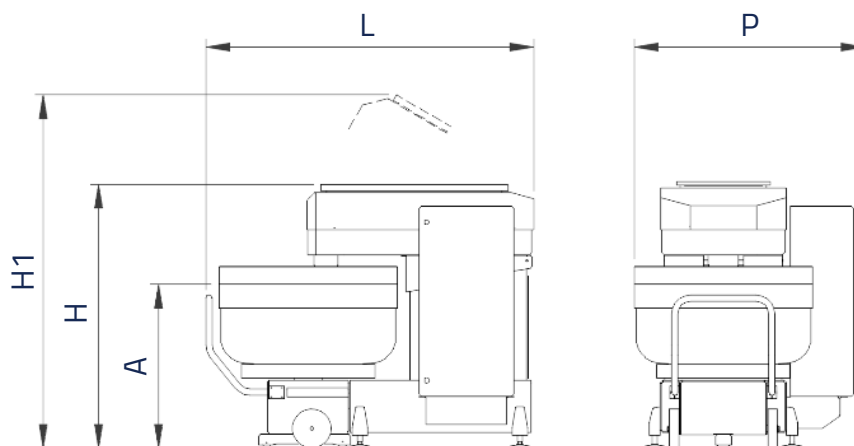
INDUSTRIAL

CAPACITY (kg)

- 200
- 300
- 500
- 250
- 400



TECHNICAL DATA



DATI TECNICI

MODEL		PRO.E 200	PRO.E 250	PRO.E 300	PRO.E 400	PRO.E 500
Dough Capacity (min./max) *	Kg	15/200	15/250	20/300	30/400	40/500
Flour Capacity (min./max) *	Kg	9/125	9/150	12/185	18/250	24/300
Water Capacity (min./max) *	Lt	6/75	6/100	8/115	12/150	16/200
Bowl Volume	Lt	320	380	470	600	700
Min. Hydration % (water/flour)	%	45	45	45	45	45
Tool Rotation Speed (low/high speed)	rpm	90/182	90/182	90/182	92/184	92/184
Bowl Rotation Speed (low/high speed)	rpm	8/16	8/16	8/17	8/16	8/16
Installed Power (low/high speed)	kw	11.1/16.6	11.1/16.6	12.6/17.1	15.8/23.6	17.3/25.1
Absorbed Power (230V/400V)	A	56/33	56/33	58/34	80/47	84/49
Spiral Diameter	mm	60	60	60	60	60
Bowl Lip Height	A mm	960	1020	1036	1090	1090
Overall Width	P mm	2110	2110	2210	2330	2430
Overall Length	L mm	1220	1220	1270	1320	1400
Overall Height	H mm	1585	1585	1585	1640	1640
Overall Height (open)	H1 mm	2150	2150	2150	2350	2350
Net Weight	kg	1610	1640	1730	2000	2110