

AUTOMATIC VOLUMETRIC DIVIDER-ROUNDER RL2/2

USE

Automatic divider-rounder with 2 rows is designed to divide and round soft, semi-hard and hard doughs.

Specially designed for industrial production, it ensures high production rates, a high level of weight precision and rounding quality. With a Rolling Line moulder or an RL Form, the divider-rounder can also produce elongated breads, flat breads, mini brioches, milk bread rolls, etc... as well as burgers, pizza balls, small balls.

CAPACITIES

Model	Production rates*	Minimum/maximum weight*
RL2/2	3 000 pcs/h	20g - 110g 30g - 150g 40g - 200g 80g - 280g

* The information is indicative and non-contractual. It can vary depending on the dough used (% of yeast, t° of the dough, t° of the room, etc.) and on the process.



FEATURES

Teflon-coated feed hopper (12-15 kg of dough) equipped with 6 rollers and 2 internal flourers

Positioned on **wheels** for easy moving

Easy cleaning

The machine is designed to be cleaned quickly and optimally in all its parts

No Stress Pack: Pressure regulator when entering the piston, and when rounding with the plate. To obtain optimum respect for your dough, even the most fragile.

Touch screen control system

Allows to easily determine the following parameters according to your needs:

- Adjusting the weight of dough pieces
- Adjusting the rounding pressure
- Adjusting the rounding time
- Adjusting the internal dusters
- Adjusting the drum choice
- Adjusting the production rates

Security system with light barriers instead of security grid

OPTIONS

Additional external flour duster on the exit belt

Independant motorized external belt

Motorized exit belt with pressing roll

Automatic drum oiling system to avoid soft doughs sticking

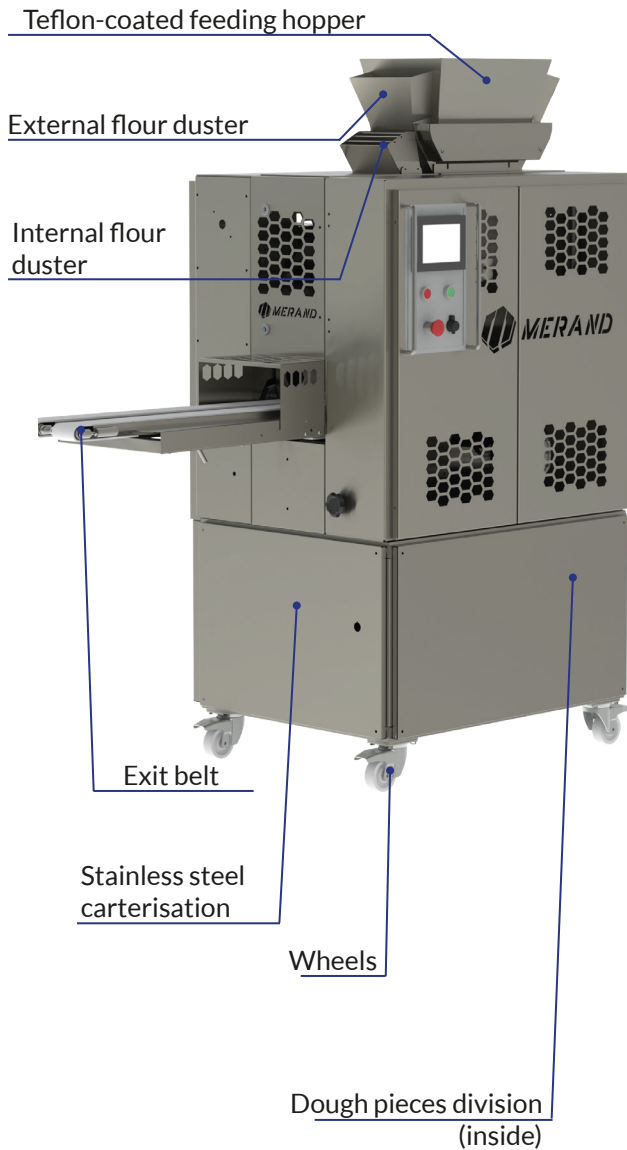
May be coupled to other machines: retractable conveyor belt, automatic intermediate proofer, moulding machine

Wheels with brakes

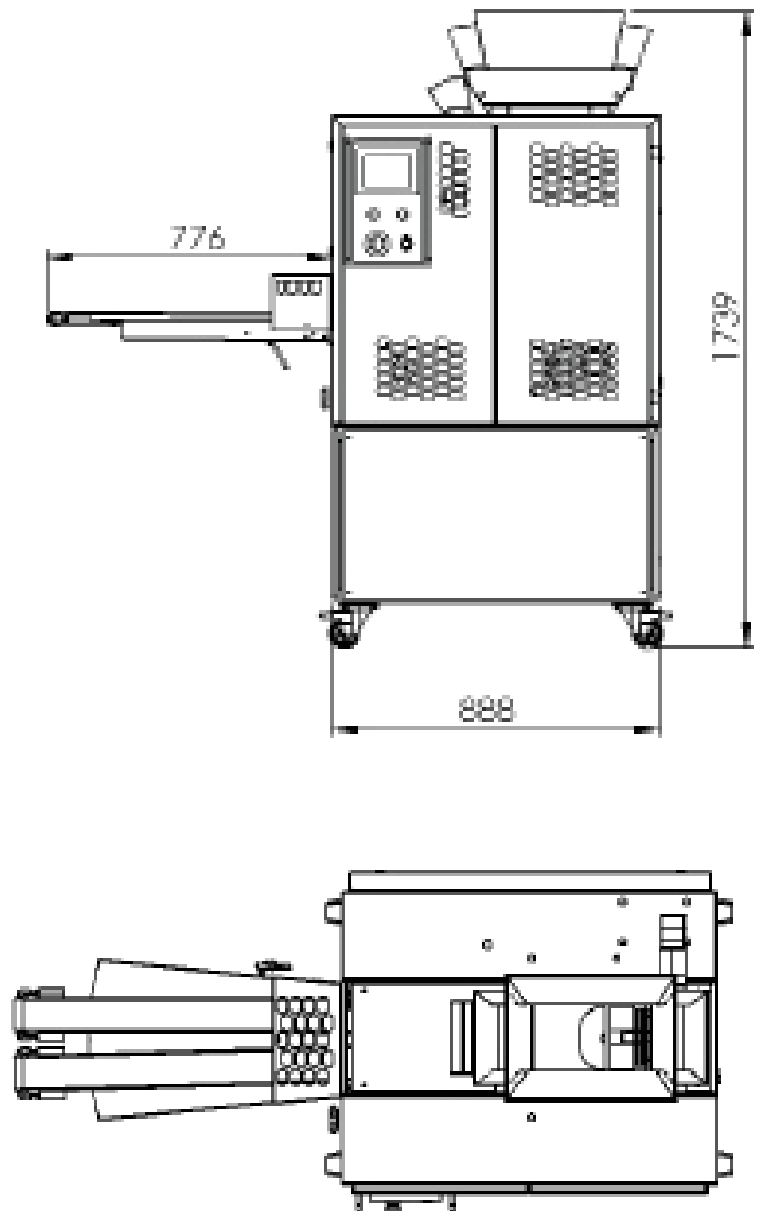
Easy machine moving and security

RL Form: Independent motorized conveyor belt on exit conveyor. It allows lengthening or flattening the dough balls to diversify your bread range

PRESENTATION RL2/2



DIMENSIONS RL2/2



WEIGHT / PACKAGING

Divider-rounder :
Pallet: 130 X 115 X 210H, 590kg
Wooden crate: 160 x 115 x 210H, 640kg in total
Moulder Rolling Line:
Pallet: 220 X 110 X 180H, 310kgs in total
Wooden crate: 220 X 110 X 170H, 350kg in total

HYGIENE / SECURITY

The divider-rounder RL complies with:

- Machine directive 2006/42/CE
- Labor code

ELECTRICAL SPECIFICATIONS

Installed power: 1.8kW
Voltage: 400V
Frequency: 50Hz

MERAND Mécapâte • Z.I. de la Turbanière
35530 BRECE • FRANCE
+33 (0)2 99 04 15 30 • salesdpt@merand.fr • www.merand.fr