

AO

FRENCH-STYLE FIXED BOWL FORK MIXER

MIXER
ART OF MIXING

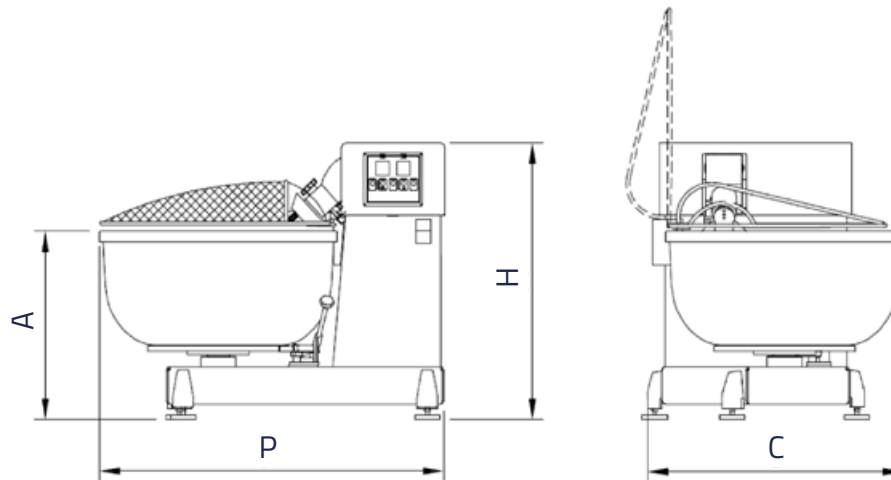
PROFESSIONAL

CAPACITY (kg)

- 170 ▪ 330
- 230 ▪ 440



TECHNICAL DATA



DATI TECNICI

MODELLO		AO 170	AO 230	AO 330	AO 440
Dough capacity (min./max) *	kg	25/80	35/120	50/180	45/250
Flour capacity (min./max) *	kg	15/50	22/75	32/110	26/165
Water capacity (min./max) *	lt	10/30	13/45	18/70	18/85
Bowl volume	lt	170	230	330	440
% water/flour minimum	%	55	55	55	55
Spiral turns 1st / 2nd speed (50/60Hz)	rpm	47/70	47/70	47/70	47/70
Bowl turns 1st / 2nd speed (50/60Hz)	rpm	/	/	/	/
Motors power 1st / 2nd speed	kw	3.7/5.2	3.7/5.2	3.7/5.2	4.6/6.9
Current drawn V 230	A	19	19	19	26
Current drawn V 400	A	11	11	11	14.7
Height from bowl edge	A mm	720	770	820	910
Total depth	P mm	1190	1330	1390	1550
Total width	C mm	930	1000	1070	1170
Total height	H mm	1150	1215	1215	1405
Net weight	kg	420	450	490	710

*: capacity based on the percentage of liquid/flour = 60%

All data are to be considered as nominal, MIXER srl reserves the right to make any changes to the product and/or technical specifications without notice.